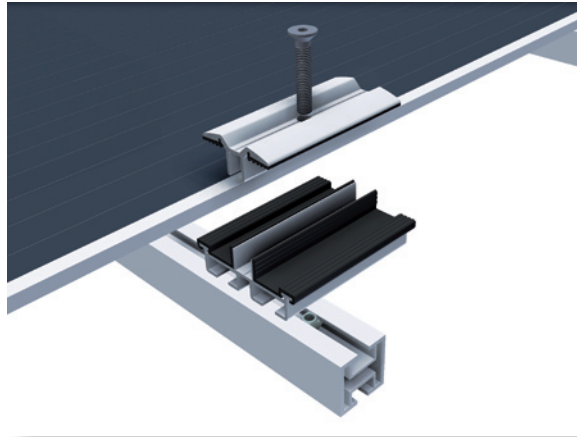


THE HIGH QUALITY LAMINATE CLAMP



Optimal positioning · The support rail engaged on the lower side supports the module with loads greater than 2,400 Pa and prevents the edges from being crushed

Safe · Uses silicon-based rubber
· Classified as non-combustible in accordance with UL94-V0

Electrical insulation · If glass is damaged, the highly insulating silikon prevents residual current from flowing between the frame and module

Quality made in Germany

Solteature set itself the challenge of developing a laminate clamp of the highest quality that would also increase the reliability of laminate modules over that of conventional clamps. Thanks to Solteature's successful research and development work, which included systematic testing and simulation calculations based on the finite element method, such a device was attained: The Inteo Clamp, optimally tailored to Solteature's Linion L laminate module, can also be used successfully with other laminate modules. The Inteo Clamp sets a high new standard in clamping technology.

Solteature's Inteo Clamp meets the highest building safety requirements. The silikon used is non-combustible in accordance with UL94-V0. In comparison with conventional clamps, which mostly use EPDM silikon, the dielectric strength is also significantly increased. Above all, the clamp provides ideal stabilization for modules on roofs with high snow and wind loads. The Inteo Clamp therefore provides a core element in intelligent solutions for solar construction, an area in which Solteature has considerable expertise.

About Solteature GmbH

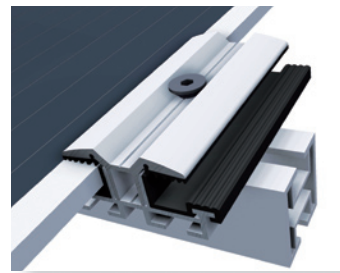
Based in Berlin, Solteature is a leading manufacturer of CIS-based thin-film solar modules and a provider of comprehensive system solutions for solar construction. Whether for large commercial roofs or single-family homes, Solteature offers suitable modules and systems for all kinds of roofs. The company is the exclusive partner of the Helmholtz Centre Berlin, Europe's largest research institute for thin-film photovoltaics. Its shareholders and owners include Intel Capital, Vattenfall Europe and Gaz de France Suez.



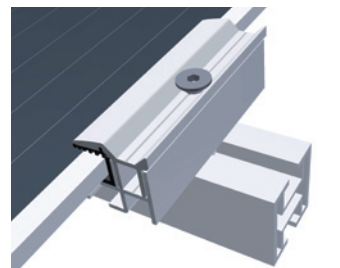
To use the Inteo Clamp, use an M8 flat head screw to ISO 10642 and a suitable slot or locking nut. The slot/locking nut and length of the screw used depend on the profile substructure deployed and must be selected accordingly. Dimensions are provided in the cross-sectional drawings provided below.

(M8 flat head screw and a suitable slot/locking nut are not included)

- Registered with the German Patent and Trade Mark Office
- Protected as a utility model

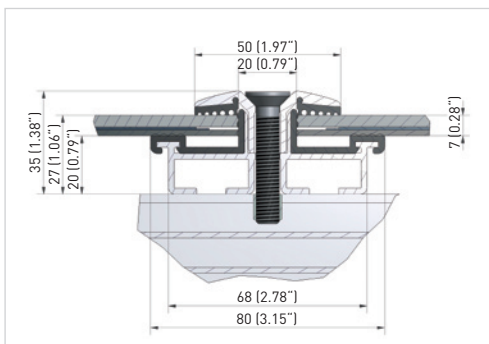


System depiction
Inteo Clamp central

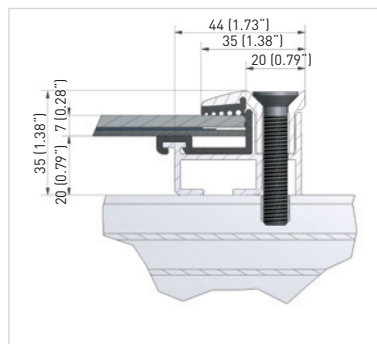


System depiction
Inteo Clamp terminal

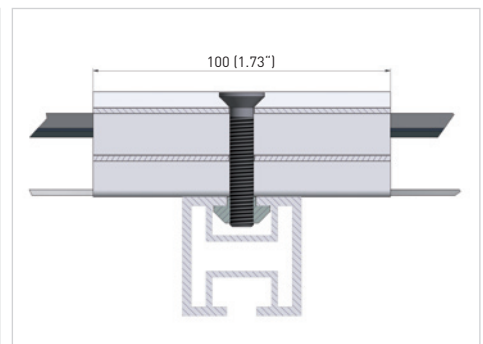
Technical specifications		
	Inteo Clamp central	Inteo Clamp terminal
Length	100 mm (3.94 in.)	100 mm (3.94 in.)
Weight	194 g (0.43 lb.)	132 g (0.29 lb.)
Dielectric strength of the plastic lip	min. 10 000 V/mm	min. 10 000 V/mm



Vertical cross-section: Inteo Clamp central



Vertical cross-section: Inteo Clamp terminal



Horizontal cross-section: Inteo Clamp

CONTACT

Soltecture GmbH
Groß-Berliner Damm 149
D-12487 Berlin

Tel.: +49 (0)30 46 77 77 – 0 info@soltecture.de
Fax: +49 (0)30 46 77 77 – 400 www.soltecture.com

Your Soltecture Partner: